

Gas Valve System



Gas Valve Sentinel System Technical Specification Sheet

The ETTER Gas Valve Sentinel (EGVS) System is designed to effectively and safely isolate gas supplies in various scenarios including an educational laboratory environment. The EGVS is designed to meet and exceed specifications including those of the New York City Board of Education. The master control panels are built and certified as UL Industrial Control Panels meeting UL 508A, which is not available from other competitors. The EGVS system is designed with the integration of an open/shut key switch gas control, along with a secondary emergency stop station, all which are tied to the main control panel.



Features:

- Key activated start/stop
- Key can be remote from usage
- Local emergency stop
- Main control panel
- Available in AC or DC packages
- FM approved solenoid valve

Ideal for:

- Schools and Universities
- Laboratory bunsen burners
- Limiting gas usage remotely
- Commercial kitchen installations

ASCO Cross Reference Chart

Piping Inches	ASCO P/N	Max Pressure PSIG	Cv Flow Factor	Holding Watts
1/2	EF8215G20	25	4.4	11.6
3/4	EF8215G30	25	5.1	11.6
1	EF8215B50	25	21	14.9
1 - 1/4	EF8215B60	25	32	14.9
1 - 1/2	EF8215B70	25	35	14.9
2	EF8215B80	15	60	14.9

Always specify your voltage. Standard default voltage if not specified is for DC voltage coils.

Please Note: A substantial savings can be recognized if the system is ordered with AC voltage.

UNLESS OTHERWISE SPECIFIED, ALL DIMENSIONS ARE IN INCHES

THIRD ANGLE PROJECTION

DESCRIPTIONS CONTAINED PROPRIETARY AND MAY NOT BE REPRODUCED OR TRANSMITTED IN ANY FORM OR BY ANY MEANS, WITHOUT THE WRITTEN PERMISSION OF ETTER ENGINEERING Co., INC.

DESIGN DRAWN CHECKED RELEASED

JOB NO. MECH # REV

SCALE: NTS

DATE BY

1268-M-04-01

SYSTEM FOR PLANT #2

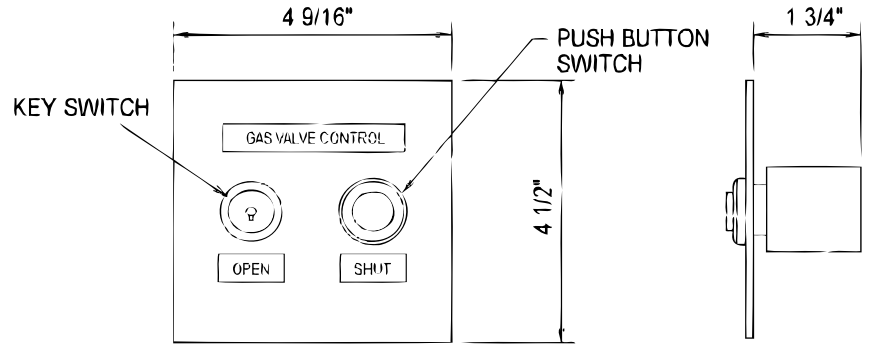
QUATING LINE #7



Supervisor Control Panel

Catalogue #EGVS-2810: A stainless steel duplex electrical cover plate, which fits any standard duplex electrical switch box. Mounted on the cover plate is a key operated switch with a black phenolic tag "Open", and a black push button with a black phenolic tag "Closed". Above both interface devices is a black phenolic tag "Gas Valve Control". The face plate is for flush mounting and is 4-9/16" wide by 4-1/2" tall, the depth inside is 1-3/4" from the back of the switch to the back of the face plate. The four inch square duplex wall electrical box is to be furnished by others, not included as the electrical contractor normally installs it.

(Comparable with the ASCO Catalog #216B89)



This should typically be mounted near the instructor's work station and is required to interface with the EGVS-2840 main control panel for fail-safe proper operation.

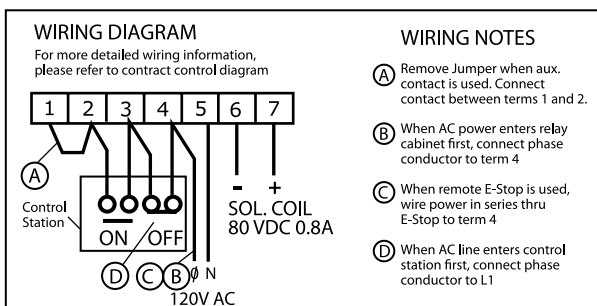
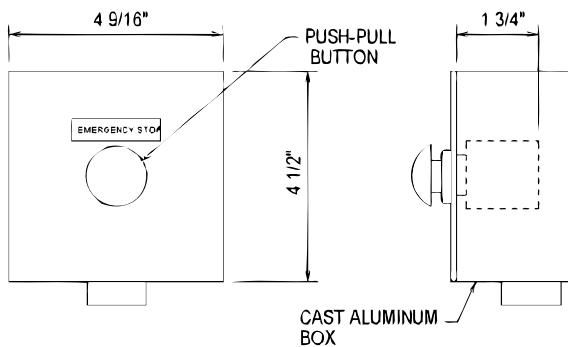
As an option not offered by ASCO, the ETTER EGVS-2810 can include an illuminated push-button so that the operator is aware of whether the valve is energized open or not energized and therefore closed. When ordering this option please specify EGVS-2810-i.

Emergency Stop Push Button Station

Catalogue #EGVS-2790: Surface mounted cast aluminum box with red mushroom push button emergency stop. Comes complete with a stainless steel duplex electrical cover plate, a 1-5/8" diameter red mushroom push button, and a black phenolic tag "Emergency Stop".

This should be mounted in a convenient location near the point of use of gas, often next to an exit path from the lab or workspace. Quick access by any individual utilizing the gas is needed for optimum safety and protection.

(Comparable with ASCO Catalog #173A19)



(Comparable with ASCO Catalog #108D10C for DC operation, and #108090C for AC operation)

Main Control Panel

Catalogue #EGVS-2840: A NEMA Type 1, 16 gauge sheet metal enclosure with a flush mounting flange for insertion into stud wall cavity. Enclosure has a keyed latch for keeping panel secure but allows access when required.

The enclosure houses the power and control circuitry to provide 80-90 Vdc to the Solenoid. The logic of this control panel is designed to provide safety first. Should the supply power be lost temporarily the control panel will drop out the relay holding the gas valve open and will not allow the re-opening of the valve until the key switch is re-initiated at the EGVS-2810 supervisory control panel. This assures that on a power outage, the gas does not come back on without it manually being called to do so by an operator with a key.

Please specify EGVS-2842 for a surface mounted enclosure. Should DC voltage not be required, there is an AC voltage package that can be used at a considerable cost savings. For AC voltage, please specify EGVS-2845.