



SafetyWorx EECS & ERCS - Controls



The ETTER Engineering SafetyWorx EECS and ERCS are our Emergency Control Station and Remote Control Station for gas systems in a commercial or institutional environment. Our simple modular design makes it simple to implement administrative oversight for use of gas with the use of a key. The EECS and ERCS can be used independent of each other, or together as a complementary system.



The EECS is a remote-mounted Emergency Stop for Commercial and Industrial gas control. The EECS is typically located at each exit from the room.

EECS Features Include:

- Built in ETTER's UL-508A Control Panel Shop
- Safely shutoff multiple gas supplies from a single location, or use multiple EECS in series to shut off gas
- Variety of voltage options available (NOTE: valve and panel voltage must be the same, if not select ETTER MCP)
- Laser etched faceplate



The ERCS is a Remote Control Station for Commercial and Institutional gas control, typically located in a less public area or in a secure location.

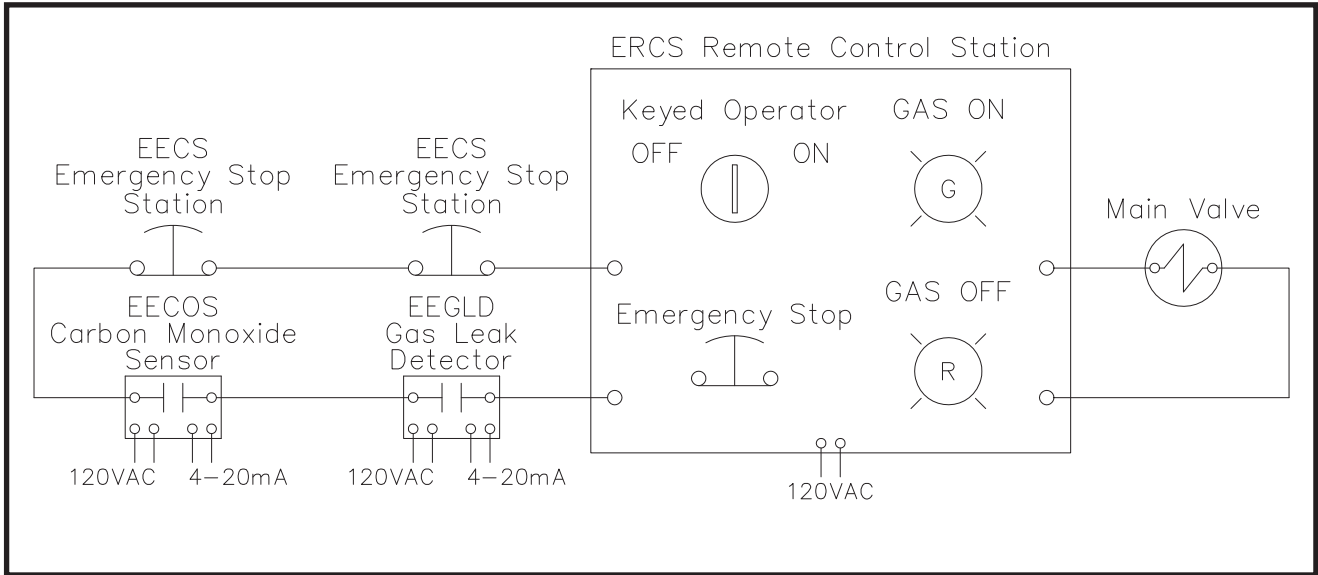
ERCS Features Include:

- Built in ETTER's UL-508A Control Panel Shop
- Keyed control and reset of gas supply to equipment
- Stainless steel faceplate
- 120V AC control output
- Visual indication
- 5A circuit can power the largest of valves or multiple smaller valves
- Laser etched with LED lights to display system status

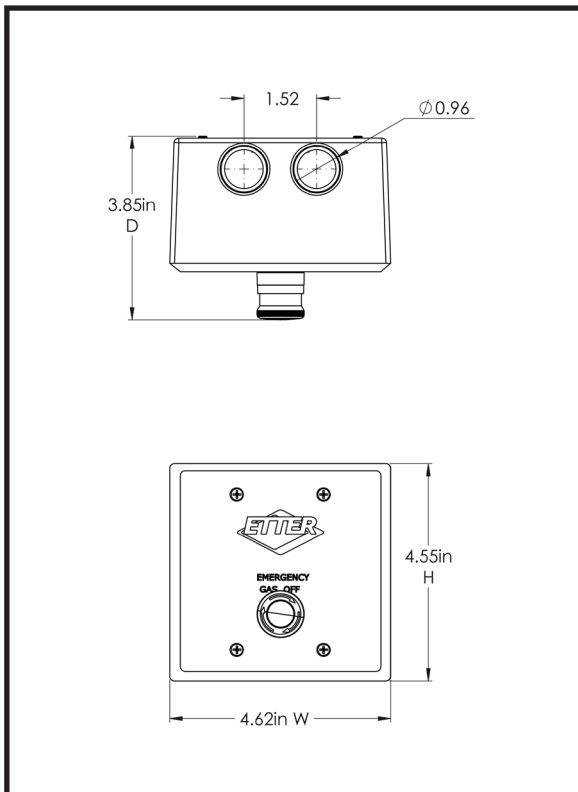
Compatibility:

The ETTER Model EECS is a "fit form and function" substitute for the ASCO Catalog No. 173A19 and No. 173120.

The ETTER Model ERCS is a "fit form and function" substitute for the ASCO Catalog No. 216C89 and provides the added benefits of: two way key option for "ON" and "OFF"; Red pushbutton is a formal Emergency Stop and maintains its OFF position until manually reset; LED pilot lights indicate the valve's position for "ON" and "OFF".



EECS



ERCS

